

tuffjoint Utility Application Guide

Step treads, risers and edgings

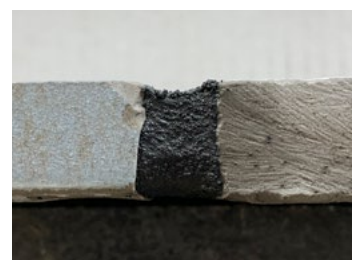
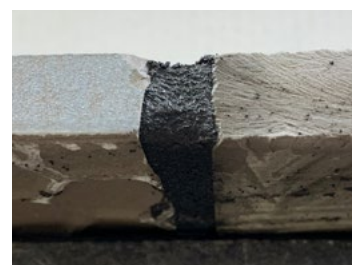
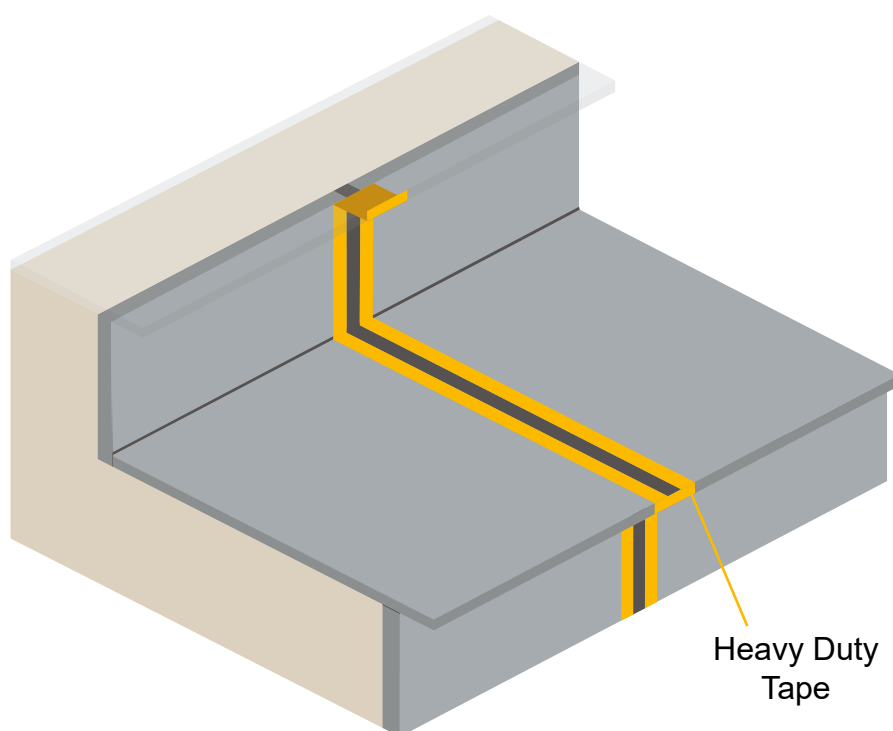
Using Steintec 'tuffjoint Utility Brush-In Grout' with pavement features such as step treads and risers and edgings.

Carefully add a small amount of water to some tuffjoint Utility and mix to the consistency of a stiff putty.

Using a pointing tool or trowel, work the tuffjoint putty into the full joint depth.

Clean and finish the joint to 1-2mm below the adjacent surface level using a sponge which is damp or squeezed virtually dry. Do not use a wet sponge.

The working time for 'tuffjoint Utility' in putty form is approximately 30 minutes at 20 degrees Celsius. This can be longer in cooler conditions.



Helpful tips;

- Use heavy duty adhesive tape to protect the surface of the pavers either side of the joint when applying the tuffjoint Utility to the riser & tread.
- Where joints in step treads overhang the risers, heavy duty adhesive tape should be used on the underside of the joint to support the tuffjoint until dry.
- Setting time will vary depending on the time of year, typically 3-5 hours. The heavy duty adhesive tape can be removed when the tuffjoint Utility is self supporting.



Steintec[®]
high performance paving mortars